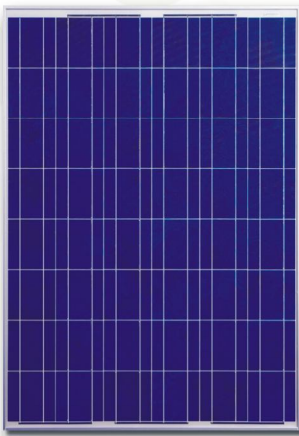


CAYMAX 180-48P
polycrystalline Series



WARRANTIES

5-year limited product warranty*
Limited power warranty*: 10 years at 90% of the minimal rated power output, 25 years at 80% of the minimal rated power output

QUALIFICATIONS AND CERTIFICATES

IEC 61215 Edition 2, IEC 61730, CE, ISO 9001

- Qualified, IEC 61215
- Safety tested, IEC 61730
- Periodic Inspection

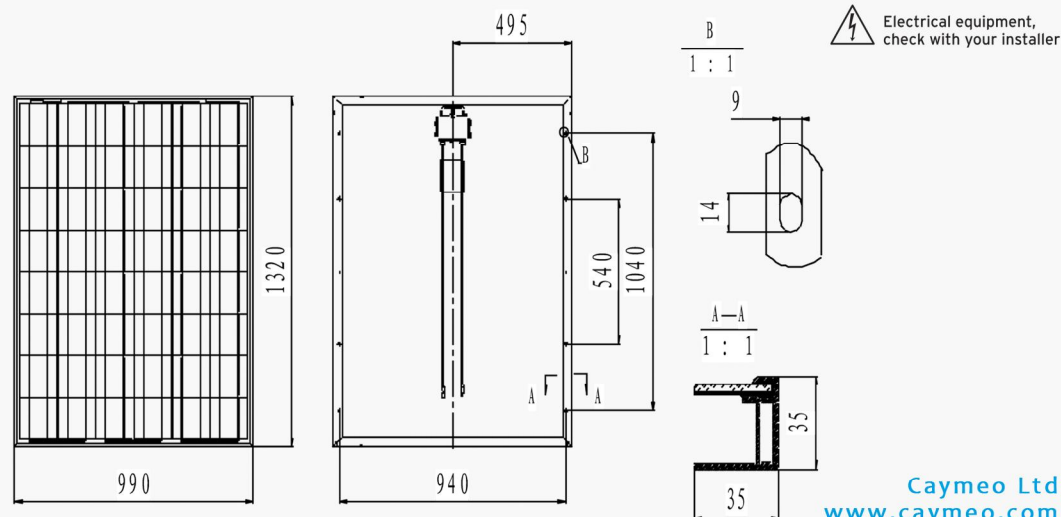


QUALITY & RELIABILITY

- >> Robust, corrosion resistant aluminium frame independently tested to withstand wind loads of 2.4KPa and snow loads of 5.4KPa ensuring a stable mechanical life for your modules.
- >> Take confidence in our modules with a 5 year limited product warranty and a 25 year limited power warranty*.
- >> Modules protected by box during transportation and with 20 modules in a box on-site waste is minimised.
- >> Modules independently tested to ensure conformance with certification and regulatory standards.
- >> Manufacturing facility certified to ISO 9001 Quality Management System standards.

Electrical Specification

Type	185-48P	180-48P	175-48P	170-48P	165-48P	160-48P
Pmpp [Wp]	185	180	175	170	165	160
Voc[V]	29.4	29.2	29	28.9	28.8	28.7
Isc[A]	8.57	8.43	8.26	8.13	8.05	7.98
Vmpp [V]	23.6	23.4	23.2	23	22.8	22.5
Imp [A]	7.85	7.7	7.55	7.40	7.25	7.12
Practical module efficiency	15.84%	15.41%	14.98%	14.55%	14.13%	13.70%
Maximum system voitag [V]	1000					
Voltage temperature coefficients	-0.36%/K					
Current temperature coefficients	+0.03%/K					
Power temperature coefficients	-0.53%/K					
Series fuse rating[A]	15					
Cells	6×8 pieces polycrystalline solar cells series strings (156mm×156mm)					
Junction box	with 6 bypass diodes					
Cable	length 900 mm, 1×4 mm ²					
Front glass	White toughened safety glass, 3.2 mm					
Cell encapsulation	EVA (Ethylene-Vinyl-Acetate)					
Back	composite film					
Frame	Anodised aluminium profile					
Dimensions	1320×990×35mm (L×W×H)					
Maximum surface load capacity	tested up to 2,400 Pa according to IEC 61215					
Hail	maximum diameter of 25 mm with impact speed of 23 m·s ⁻¹					
Temperature range	- 40 °C to + 85 °C					



* In compliance with our Warranty Terms and Conditions