

**CAYMAX 200-54P**  
polycrystalline Series



**Electrical Specification**

Type	210-54P	205-54P	200-54P	195-54P	190-54P	185-54P	180-54P
Pmpp [Wp]	210	205	200	195	190	185	180
Voc[V]	33.2	33	32.8	32.6	32.5	32.4	32.2
Isc[A]	8.54	8.48	8.36	8.21	8.12	8.02	7.98
Vmpp [V]	26.7	26.4	26.2	26	25.8	25.7	25.3
Impp [A]	7.87	7.77	7.63	7.50	7.36	7.20	7.11
Practical module efficiency	15.98%	15.60%	15.22%	14.84%	14.46%	14.08%	13.70%
Maximum system voitag [V]	1000						
Voltage temperature coefficients	-0.36%/K						
Current temperature coefficients	+0.03%/K						
Power temperature coefficients	-0.53%/K						
Series fuse rating[A]	15						
Cells	6×9 pieces polycrystalline solar cells series strings (156mm×156mm)						
Junction box	with 6 bypass diodes						
Cable	length 900 mm, 1×4 mm2						
Front glass	White toughened safety glass, 3.2 mm						
Cell encapsulation	EVA (Ethylene-Vinyl-Acetate)						
Back	composite film						
Frame	Anodised aluminium profile						
Dimensions	1480×990×35mm (L×W×H)						
Maximum surface load capacity	tested up to 2,400 Pa according to IEC 61215						
Hail	maximum diameter of 25 mm with impact speed of 23 m·s-1						
Temperature range	- 40 °C to + 85 °C						

**WARRANTIES**

5-year limited product warranty\*  
 Limited power warranty\*: 10 years at 90% of the minimal rated power output, 25 years at 80% of the minimal rated power output

**QUALIFICATIONS AND CERTIFICATES**

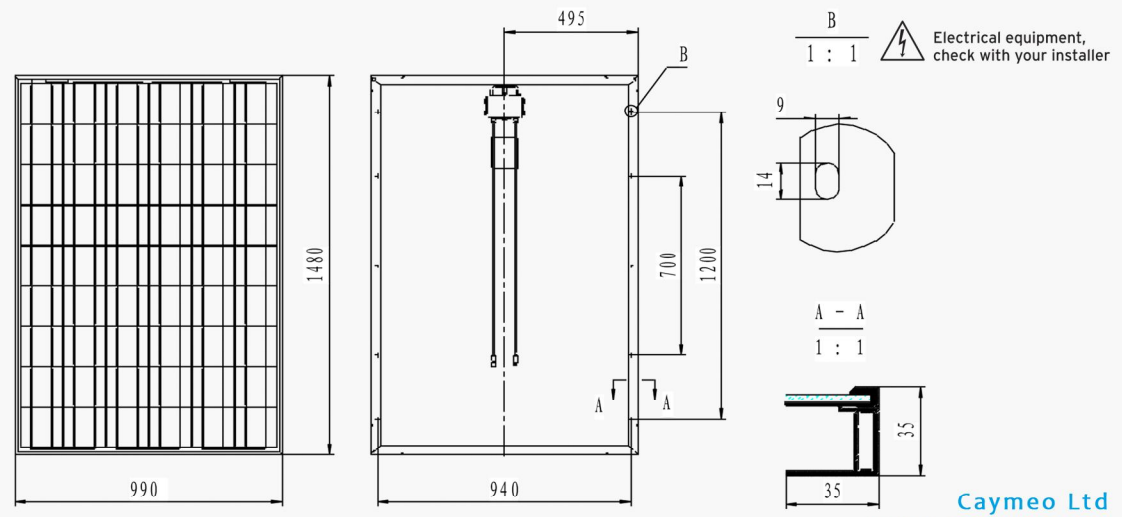
IEC 61215 Edition 2, IEC 61730, CE, ISO 9001

- Qualified, IEC 61215
- Safety tested, IEC 61730
- Periodic Inspection



**QUALITY & RELIABILITY**

- >> Robust, corrosion resistant aluminium frame independently tested to withstand wind loads of 2.4KPa and snow loads of 5.4KPa ensuring a stable mechanical life for your modules.
- >> Take confidence in our modules with a 5 year limited product warranty and a 25 year limited power warranty\*.
- >> Modules protected by box during transportation and with 20 modules in a box on-site waste is minimised.
- >> Modules independently tested to ensure conformance with certification and regulatory standards.
- >> Manufacturing facility certified to ISO 9001 Quality Management System standards.



Electrical equipment, check with your installer

\* In compliance with our Warranty Terms and Conditions