

CAYMAX 265-72P
polycrystalline Series



WARRANTIES

5-year limited product warranty*
Limited power warranty*: 10 years at 90% of the minimal rated power output, 25 years at 80% of the minimal rated power output

QUALIFICATIONS AND CERTIFICATES

IEC 61215 Edition 2, IEC 61730, CE, ISO 9001

- Qualified, IEC 61215
- Safety tested, IEC 61730
- Periodic Inspection

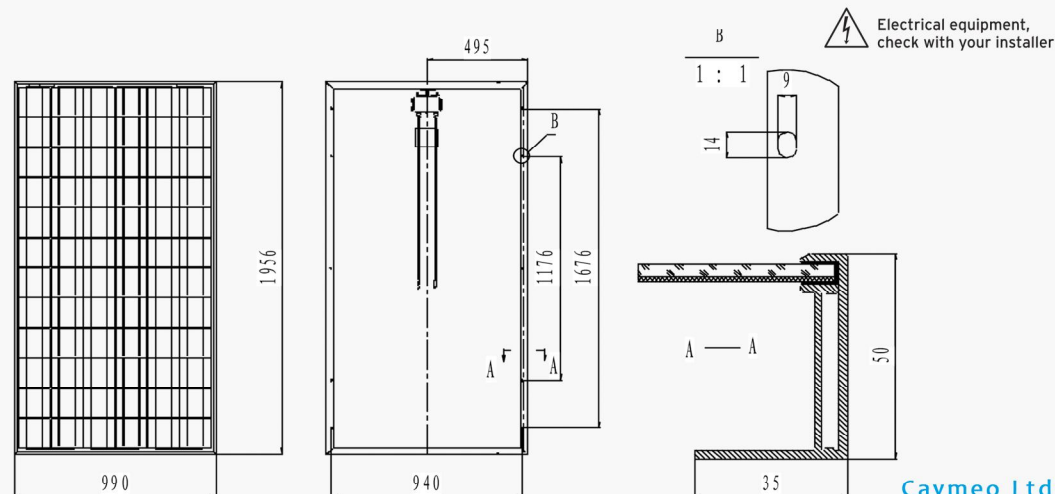


QUALITY & RELIABILITY

- >> Robust, corrosion resistant aluminium frame independently tested to withstand wind loads of 2.4KPa and snow loads of 5.4KPa ensuring a stable mechanical life for your modules.
- >> Take confidence in our modules with a 5 year limited product warranty and a 25 year limited power warranty*.
- >> Modules protected by box during transportation and with 20 modules in a box on-site waste is minimised.
- >> Modules independently tested to ensure conformance with certification and regulatory standards.
- >> Manufacturing facility certified to ISO 9001 Quality Management System standards.

Electrical
Specification

Type	280-72P	275-72P	270-72P	265-72P	260-72P	255-72P	250-72P	245-72P
Pmpp [Wp]	280	275	270	265	260	255	250	245
Voc[V]	44	43.8	43.7	43.6	43.5	43.3	43.3	43.2
Isc[A]	8.58	8.48	8.4	8.31	8.21	8.13	8.05	7.98
Vmpp [V]	35.3	35.2	35	34.9	34.7	34.6	34.4	34.3
Imp [A]	7.94	7.82	7.72	7.60	7.50	7.37	7.27	7.15
Practical module efficiency	15.98%	15.69%	15.41%	15.12%	14.84%	14.55%	14.27%	13.98%
Maximum system voitag [V]	1000							
Voltage temperature coefficients	-0.36%/K							
Current temperature coefficients	+0.03%/K							
Power temperature coefficients	-0.53%/K							
Series fuse rating[A]	15							
Cells	6×12 pieces polycrystalline solar cells series strings (156mm×156mm)							
Junction box	with 6 bypass diodes							
Cable	length 900 mm, 1×4 mm ²							
Front glass	White toughened safety glass, 3.2 mm							
Cell encapsulation	EVA (Ethylene-Vinyl-Acetate)							
Back	composite film							
Frame	Anodised aluminium profile							
Dimensions	1956×990×50mm (L×W×H)							
Maximum surface load capacity	tested up to 2,400 Pa according to IEC 61215							
Hail	maximum diameter of 25 mm with impact speed of 23 m·s ⁻¹							
Temperature range	- 40 °C to + 85 °C							



* In compliance with our Warranty Terms and Conditions